

CENTER SPEAKER SELECTOR



STEREO SPEAKER SELECTOR



CONTOUR



RUMBLE FILTER



TREBLE



BASS



LOUDNESS



BALANCE



MODE

stereo
reverse



FUNCTION

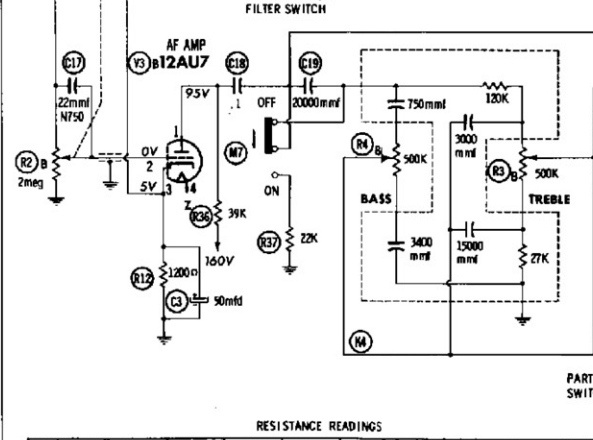
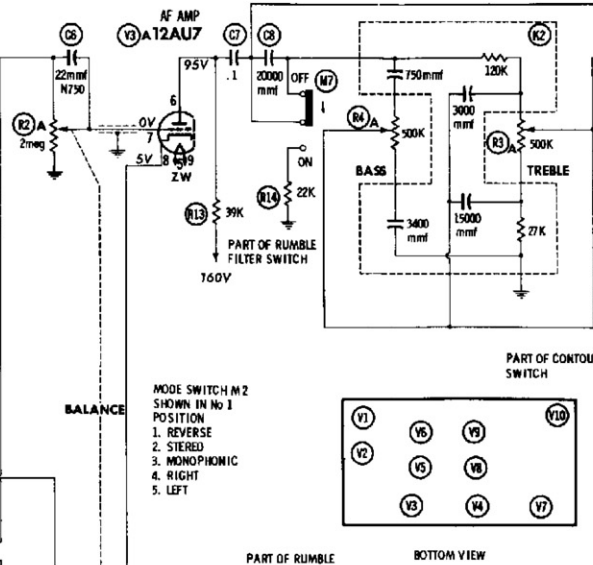
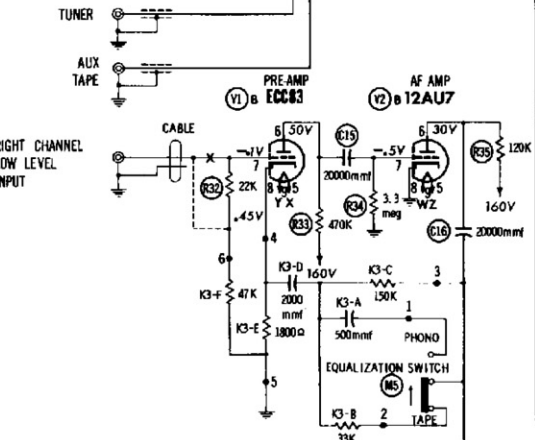
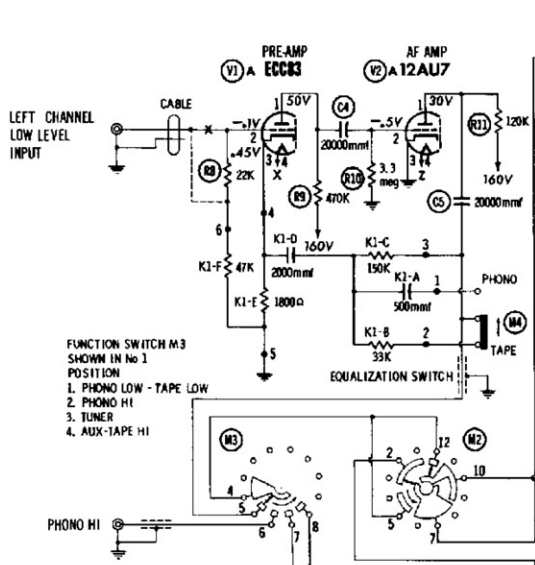
phono-hi
phono-lo
Tape-lo
tuner
aux
Tape-hi



Fairman **hardon**

Bellad

■ RIGHT
○ LEFT



RESISTANCE READINGS

ITEM	TUBE	Pin 1	Pin 2	Pin 3	Pin 4	Pin 5	Pin 6	Pin 7	Pin 8	Pin 9
V1	ECC83 12AX7	1.490K	70K	1800Ω	205Ω	205Ω	1.490K	70K	1800Ω	205Ω
V2	ECC82 12AU7	1.140K	3.3meg	0Ω	205Ω	205Ω	1.140K	3.3meg	0Ω	205Ω
V3	ECC82 12AU7	1.60K	0Ω	1200Ω	205Ω	205Ω	60K	0Ω	1200Ω	205Ω
V4	ECC83 12AX7	1.190K	10meg	150K	205Ω	205Ω	1.150K	0Ω	680Ω	205Ω
V5	EL84 6BD5	TP	470K	180Ω	205Ω	205Ω	NC	1.170Ω	TP	1.1000Ω
V6	EL84 6BD5	TP	470K	180Ω	205Ω	205Ω	NC	1.215Ω	TP	1.1000Ω
V7	ECC83 12AX7	1.190K	10meg	150K	205Ω	205Ω	1.150K	0Ω	680Ω	205Ω
V8	EL84 6BD5	TP	470K	180Ω	205Ω	205Ω	NC	1.170Ω	TP	1.1000Ω
V9	EL84 6BD5	TP	470K	180Ω	205Ω	205Ω	NC	1.215Ω	NC	1.1000Ω
V10	6Z54 5AR4	TP	1	NC	40Ω	TP	40Ω	TP	1	1

1 THIS READING WILL VARY DEPENDING UPON THE CONDITION OF THE ELECTROLYTIC IN THE CIRCUIT.
 2 MEASURED FROM PIN 8 OF V10.
 3 MEASURED FROM PIN 3 OF V4.
 4 MEASURED FROM PIN 3 OF V7.
 NC NO CONNECTION
 TP TIE POINT

